

SCHEDULE 20 CABLE DRAIN WITH FLEXIBLE OVERFLOW

BDR20S22-2 ~ BDR20S27-2

BDR20S35-2 ~ BDR20S45-2

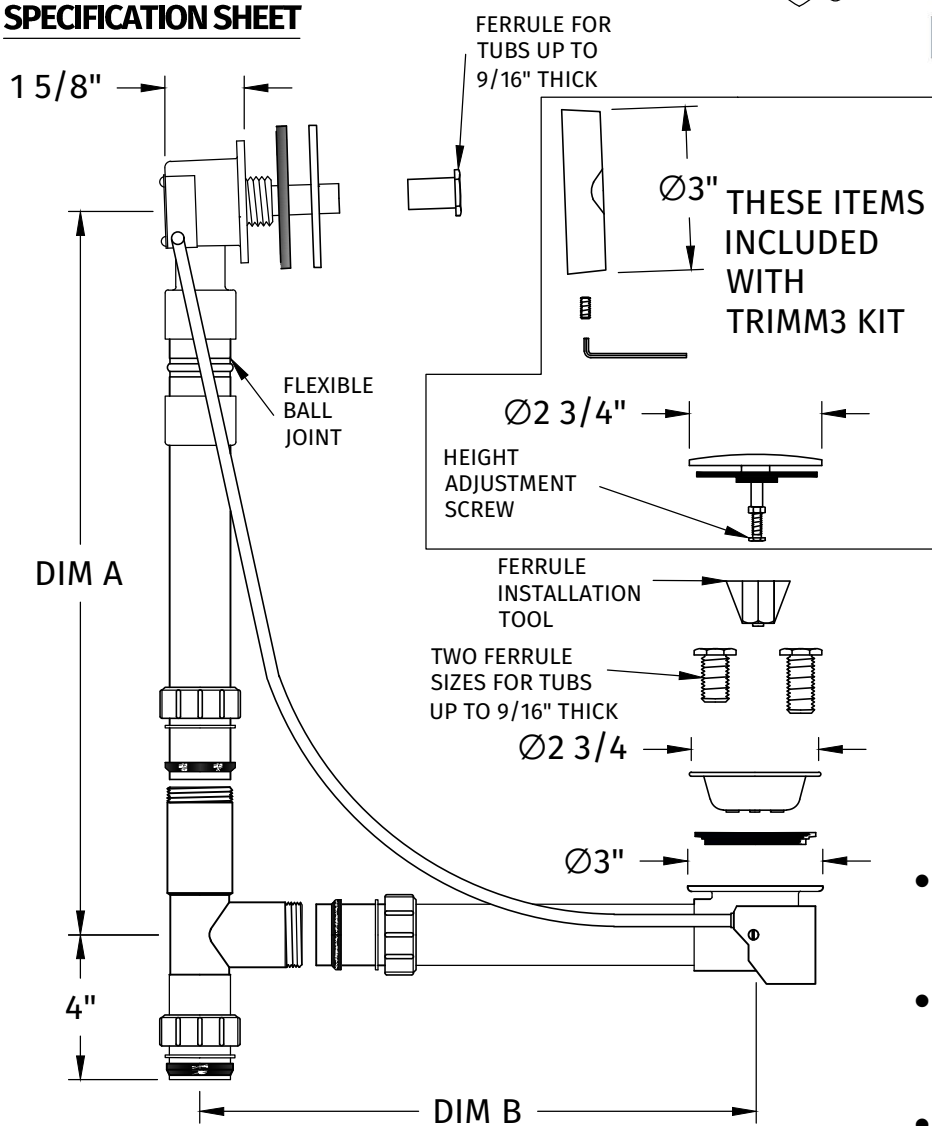
BDR20S61-2

SPECIFICATION SHEET



A McAlpine Company

Mountain Plumbing Products



- FEATURES FLEXIBLE PRE-GLUED BALL JOINT ON OVERFLOW
- INCLUDES ADAPTERS TO CONNECT TO ABS OR PVC DRAIN
- FITS TUBS UP TO 9/16" THICK
- INTENDED FOR TUBS WITH Ø2" DRAIN OPENING
- Ø1 1/2" SCHEDULE 20 PIPE CAN BE CUT TO SIZE

MODEL NO.	DIM A*	DIM B*	CABLE LENGTH
BDR20S22-2	12"-22"	7"-12"	27"
BDR20S27-2	22"-28"	7"-12"	39"
BDR20S35-2	22"-28"	13"-20"	39"
BDR20S45-2	22"-28"	22"-27"	39"
BDR20S61-2	26"-33"	22"-29"	50"

*VARIES DEPENDING ON TUB SIZE

WARRANTY

FOR WARRANTY INFO PLEASE VISIT WWW.MOUNTAINPLUMBING.COM/PAGE/RESOURCES/WARRANTY

FINISH CARE & MAINTENANCE

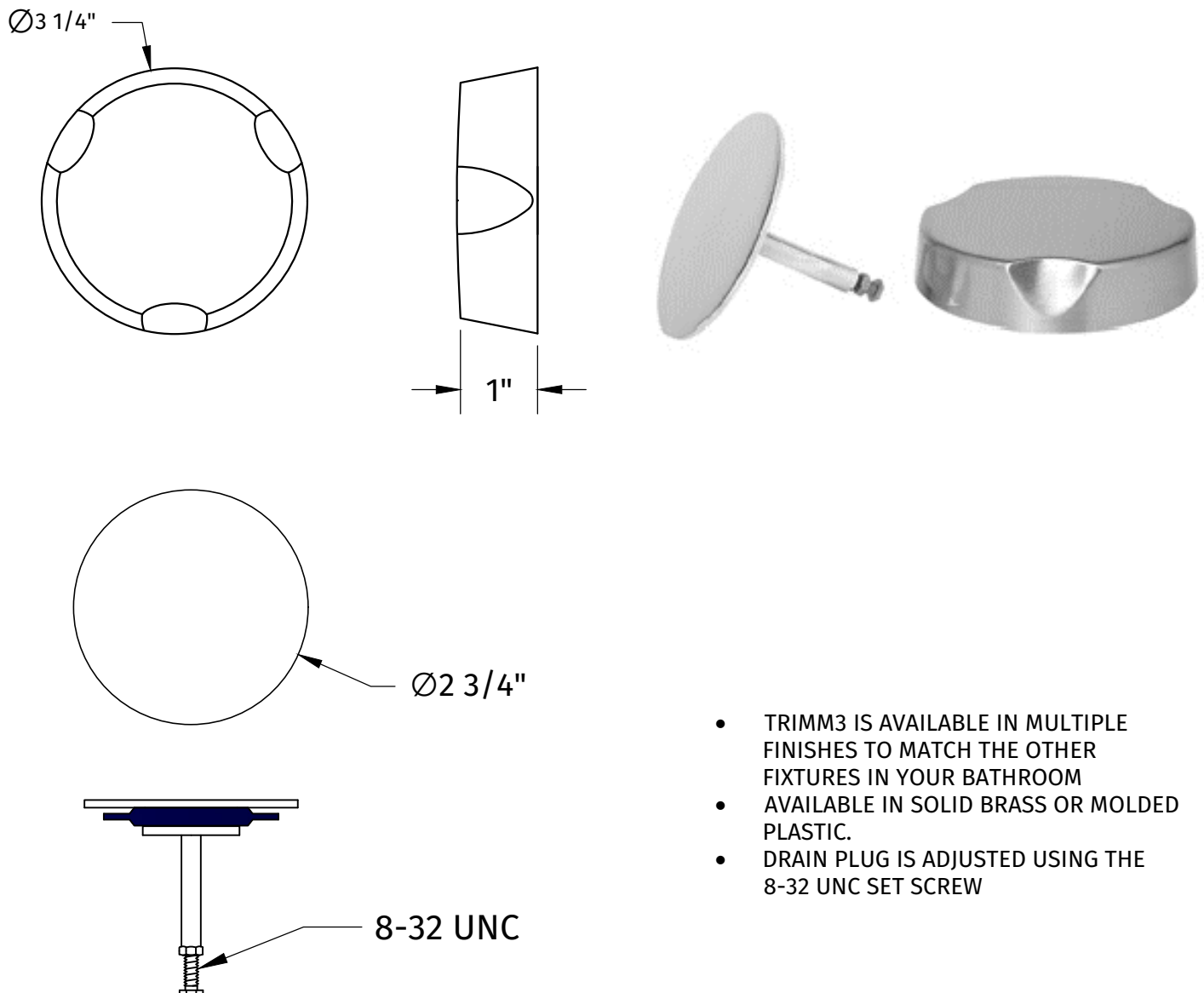
NEVER USE ANY HARSH ALKALI, ACID BASED DETERGENTS OR CLEANERS SUCH AS SOFT SCRUB®, SCRUBBING BUBBLES® OR COMET® TO CLEAN. DO NOT USE BRILLO® AND SCOTCH BRITE® PADS. THESE WILL ALL HARM THE FINISH. TO CLEAN, USE ONLY A DAMP SOFT CLOTH AND WIPE USING A SOFT CLOTH. STANDARD WINDEX® CAN ALSO BE USED SPARINGLY. IT IS NOT NECESSARY TO WIPE HARD TO REMOVE SPOTS. TO MAINTAIN THE FINISH, WIPE WITH A SOFT DRY CLOTH AFTER USE. AN OCCASIONAL COAT OF PURE CARNAUBA WAX WITHOUT CLEANERS WILL HELP PROTECT THE FINISH.

SPECIFICATIONS SUBJECT TO CHANGE WITHOUT NOTICE

TRIMM3

ROUND TRIM FOR MOUNTAIN CABLE DRAINS

SPECIFICATION SHEET



WARRANTY

FOR WARRANTY INFO PLEASE VISIT WWW.MOUNTAINPLUMBING.COM/PAGE/RESOURCES/WARRANTY

FINISH CARE & MAINTENANCE

NEVER USE ANY HARSH ALKALI, ACID BASED DETERGENTS OR CLEANERS SUCH AS SOFT SCRUB®, SCRUBBING BUBBLES® OR COMET® TO CLEAN. DO NOT USE BRILLO® AND SCOTCH BRITE® PADS. THESE WILL ALL HARM THE FINISH. TO CLEAN, USE ONLY A DAMP SOFT CLOTH AND WIPE USING A SOFT CLOTH. STANDARD WINDEX® CAN ALSO BE USED SPARINGLY. IT IS NOT NECESSARY TO WIPE HARD TO REMOVE SPOTS. TO MAINTAIN THE FINISH, WIPE WITH A SOFT DRY CLOTH AFTER USE. AN OCCASIONAL COAT OF PURE CARNAUBA WAX WITHOUT CLEANERS WILL HELP PROTECT THE FINISH.

SPECIFICATIONS SUBJECT TO CHANGE WITHOUT NOTICE